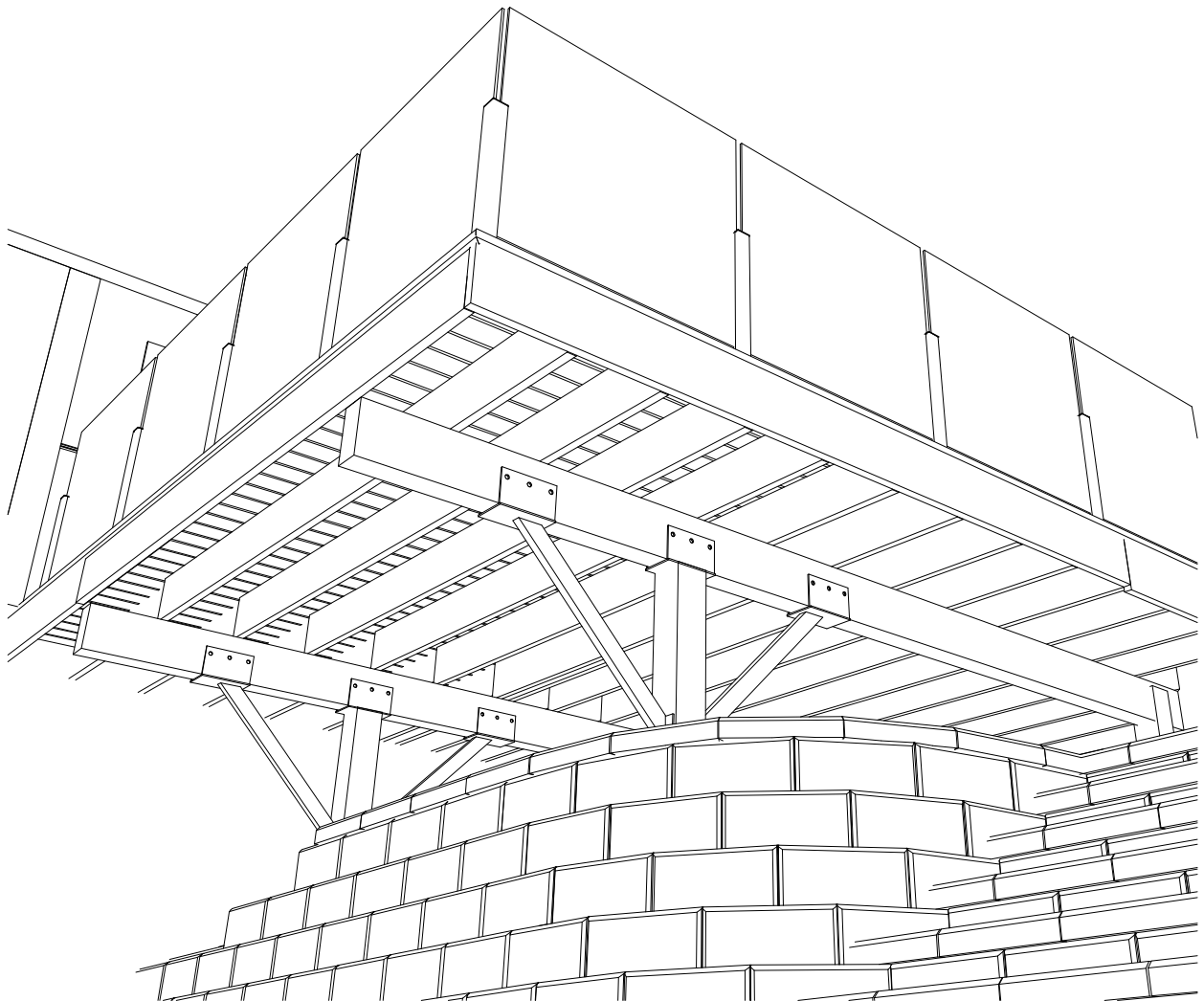
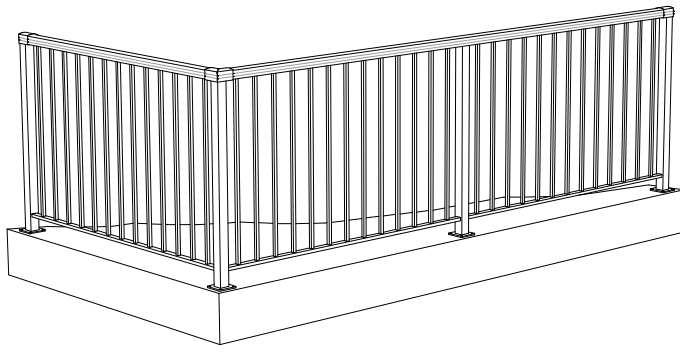


TRUELINE RAILING

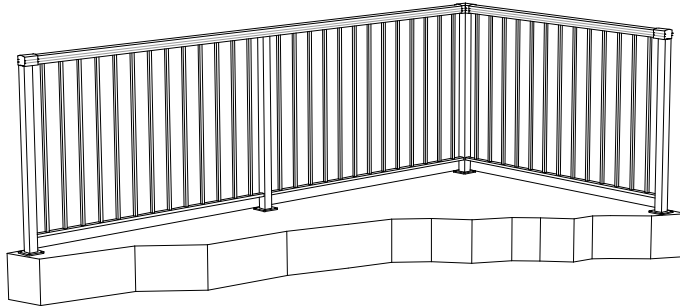


Professional Railing Experts



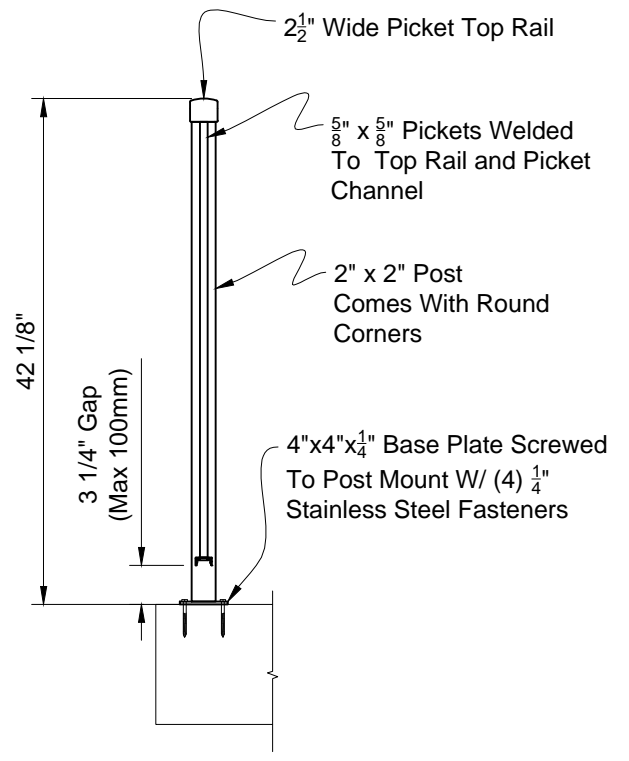


STYLE "A"
42" TOP MOUNT PICKET
 Looking From Outside

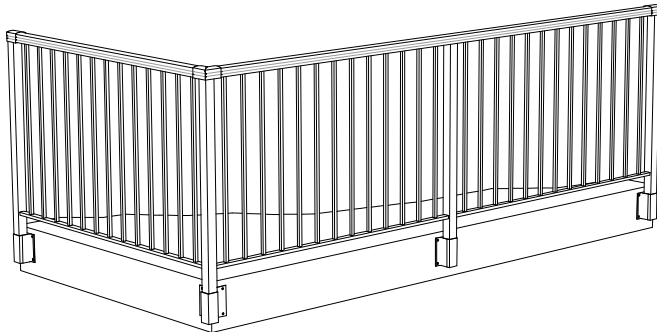


STYLE "A"
42" TOP MOUNT PICKET
 Looking From Inside

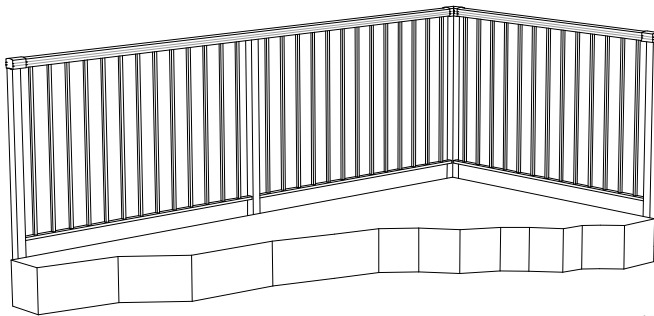
17' Deck Shown
 White or Black Installed Starting @ Just
 \$ 771.81
 Service Is Less Than One Week



A
01
STYLE

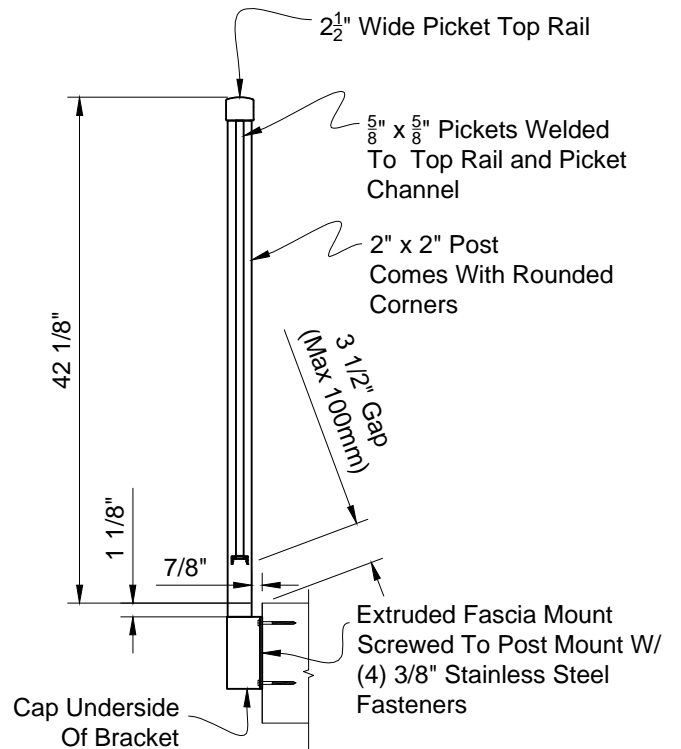


STYLE "A1"
42" FACE MOUNT PICKET
 Looking From Outside



STYLE "A1"
42" FACE MOUNT PICKET
 Looking From Inside

17' Deck Shown
 White or Black Installed Starting @ Just
 \$ 944.22
 Service Is Less Than One Week



A1
01
STYLE

Style "A"				
42" Top Mount Picket	Area#1	Area#2	Area#3	Area#4
Under 100 Feet	\$ 45.40	\$ 47.74	\$ 53.23	\$ 61.94
Over 100 Feet	\$ 44.61	\$ 45.39	\$ 49.70	\$ 52.56
Style "A1"				
42" Face Mount Picket	Area#1	Area#2	Area#3	Area#4
Under 100 Feet	\$ 53.90	\$ 56.24	\$ 61.73	\$ 70.43
Over 100 Feet	\$ 53.11	\$ 53.89	\$ 58.20	\$ 61.06

For Area:
www.alteredbydesign.ca/gallery
 For Service Booking:
www.alteredbydesign.ca/calendar
 This revision is for 2018 per foot installed railing. Please ensure you check for the most current revision.

Please Note: All pricing and drawing information is for Trueline Railing clients only. Pricing is an approximate installed price per foot budget value for the associated railing style. Visit the web site for service booking and other product information. Any reproduction in part or as a whole without written permission of Trueline Railing is prohibited.

Web: www.alteredbydesign.ca

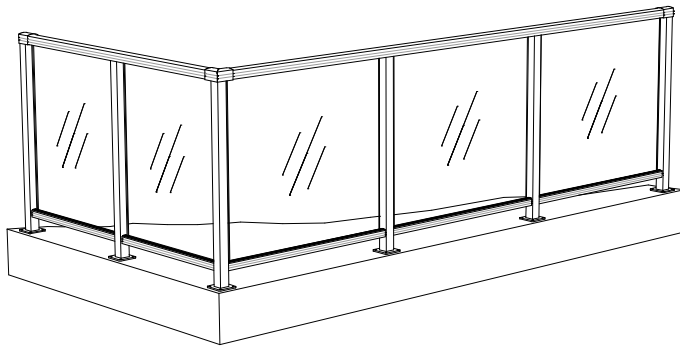
Email: TLRailing@gmail.com

TRUELINE
RAILING

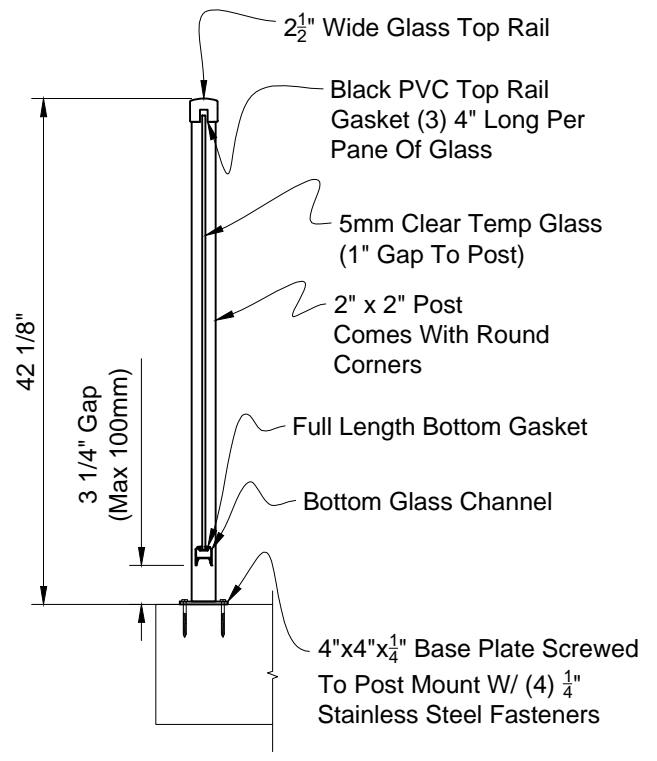


Professional Railing Experts

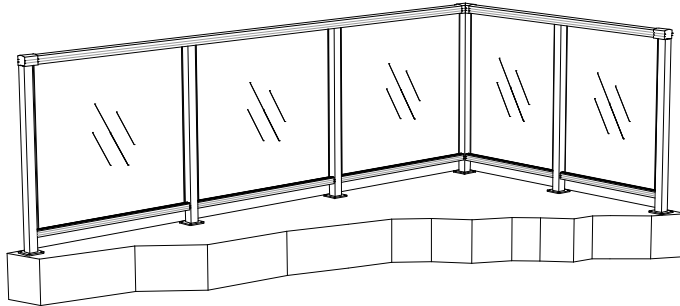
01
 REV00



STYLE "B"
42" TOP MOUNT GLASS
 Looking From Outside

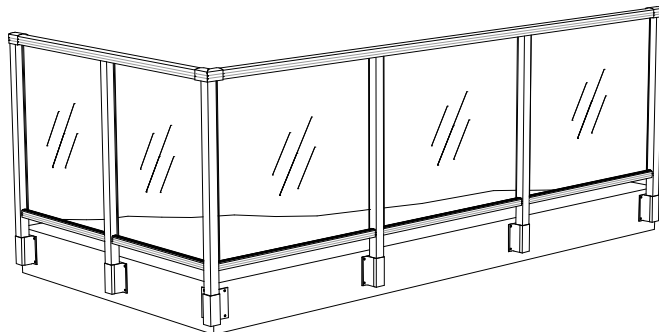


B
02
STYLE

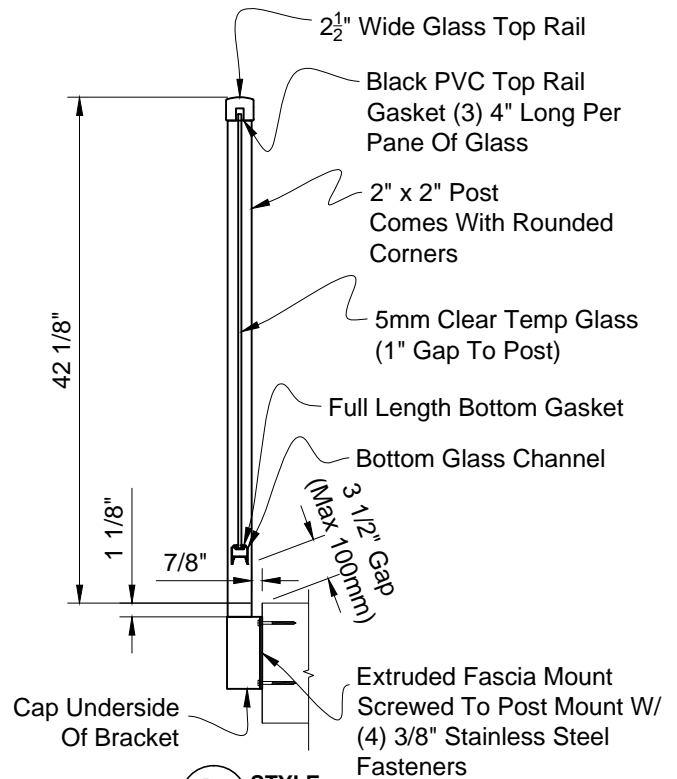


STYLE "B"
42" TOP MOUNT GLASS
 Looking From Inside

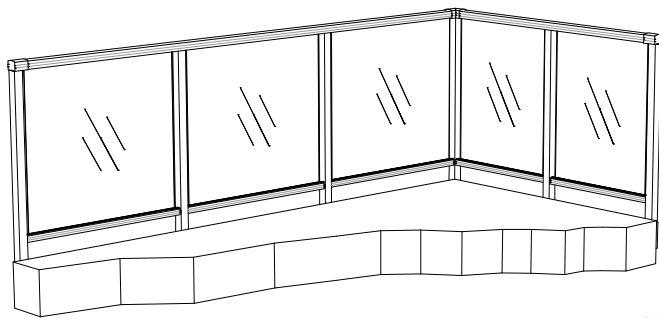
17' Deck Shown
 White or Black Installed Starting @ Just
 \$ 980.19
 Service Is Less Than Two Weeks



STYLE "B1"
42" FACE MOUNT GLASS
 Looking From Outside



B1
02
STYLE



STYLE "B1"
42" FACE MOUNT GLASS
 Looking From Inside

17' Deck Shown
 White or Black Installed Starting @ Just
 \$ 1,169.26
 Service Is Less Than Two Weeks

Style "B"	Area#1	Area#2	Area#3	Area#4
42" Top Mount Glass				
Under 100 Feet	\$ 57.66	\$ 60.00	\$ 65.49	\$ 74.19
Over 100 Feet	\$ 56.87	\$ 57.65	\$ 61.96	\$ 64.82
Style "B1"	Area#1	Area#2	Area#3	Area#4
42" Face Mount Glass				
Under 100 Feet	\$ 68.78	\$ 71.12	\$ 76.61	\$ 85.32
Over 100 Feet	\$ 67.99	\$ 68.77	\$ 73.08	\$ 75.94

For Area:
www.alteredbydesign.ca/gallery
 For Service Booking:
www.alteredbydesign.ca/calendar
 This revision is for 2018 per foot installed railing. Please ensure you check for the most current revision.

Please Note: All pricing and drawing information is for Trueline Railing clients only. Pricing is an approximate installed price per foot budget value for the associated railing style. Visit the web site for service booking and other product information. Any reproduction in part or as a whole without written permission of Trueline Railing is prohibited.

Web: www.alteredbydesign.ca

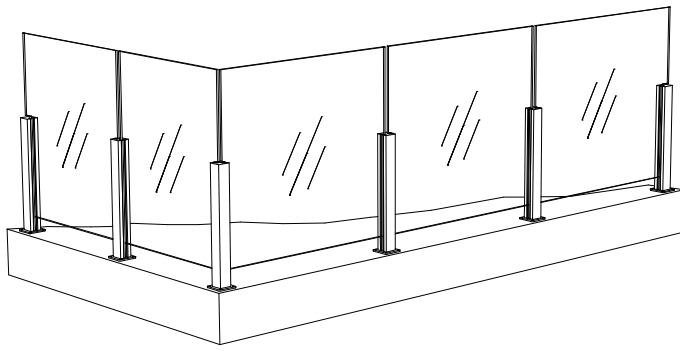
Email: TLRailing@gmail.com

TRUELINE
RAILING

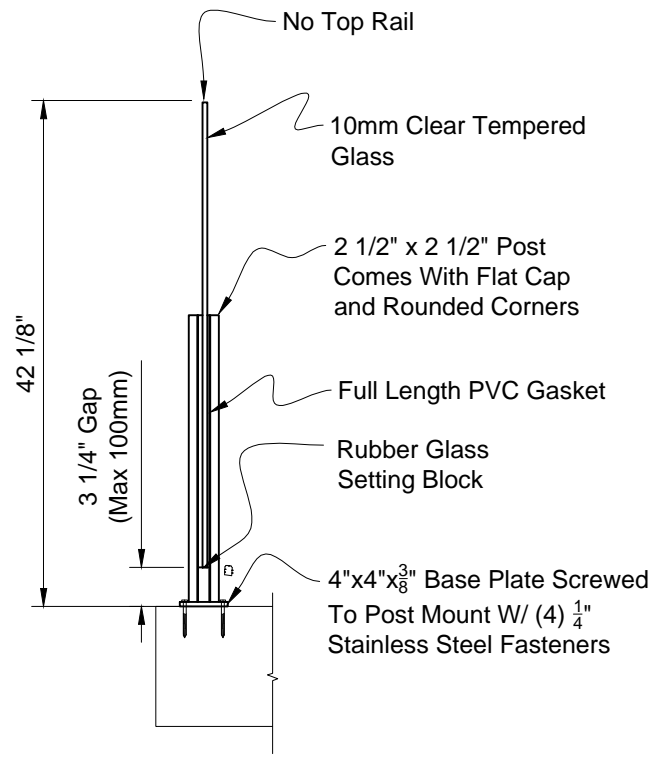
Professional Railing Experts

02

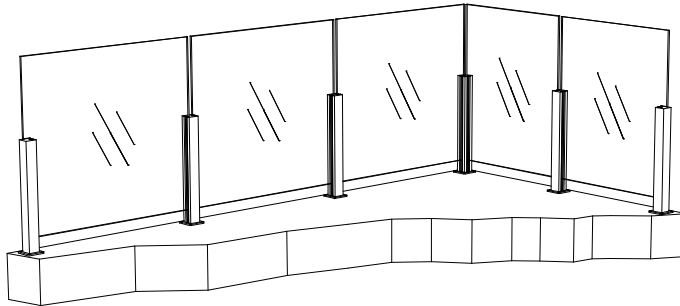
REV00



STYLE "C"
42" TOP MOUNT FRAMELESS GLASS
 Looking From Outside

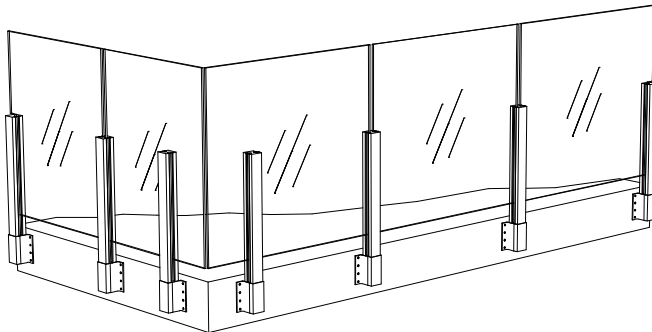


C
03
STYLE

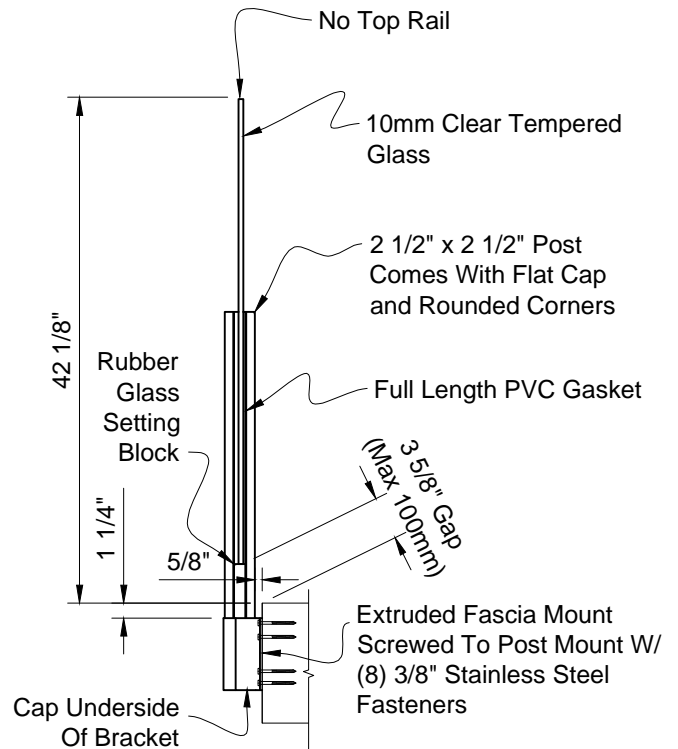


STYLE "C"
42" TOP MOUNT FRAMLESS GLASS
 Looking From Inside

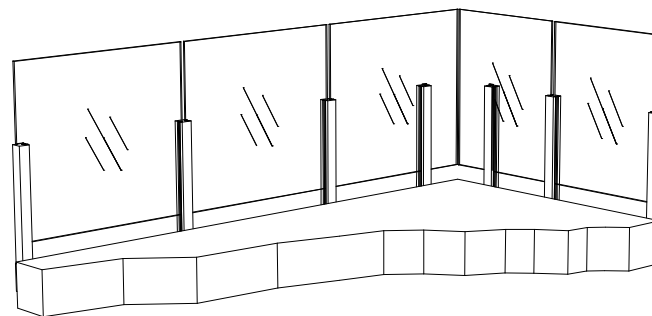
17' Deck Shown
 White or Black Installed Starting @ Just
 \$1,850.86
 Service Is Less Than Two Weeks



STYLE "C1"
42" FACE MOUNT FRAMELESS GLASS
 Looking From Outside



C1
03
STYLE



STYLE "C1"
42" FACE MOUNT FRAMELESS GLASS
 Looking From Inside

17' Deck Shown
 White or Black Installed Starting @ Just
 \$2,134.63
 Service Is Less Than Two Weeks

Style "C"	Area#1	Area#2	Area#3	Area#4
42" Top Mount Framel				
Under 100 Feet	\$108.87	\$111.22	\$116.70	\$125.41
Over 100 Feet	\$108.08	\$108.86	\$113.17	\$116.04
Style "C1"	Area#1	Area#2	Area#3	Area#4
42" Face Mount Frame				
Under 100 Feet	\$125.57	\$127.91	\$133.40	\$142.10
Over 100 Feet	\$124.78	\$125.56	\$129.86	\$132.73

For Area:
www.alteredbydesign.ca/gallery
 For Service Booking:
www.alteredbydesign.ca/calendar
 This revision is for 2018 per foot installed railing. Please ensure you check for the most current revision.

Please Note: All pricing and drawing information is for Trueline Railing clients only. Pricing is an approximate installed price per foot budget value for the associated railing style. Visit the web site for service booking and other product information. Any reproduction in part or as a whole without written permission of Trueline Railing is prohibited.

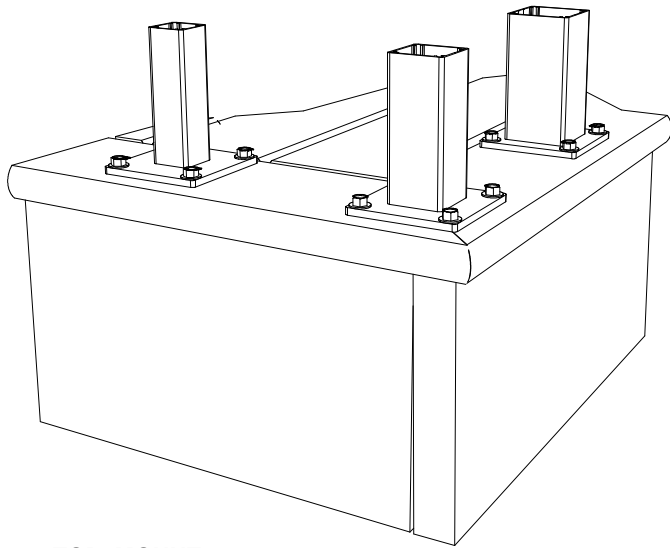
Web: www.alteredbydesign.ca

Email: TLRailing@gmail.com

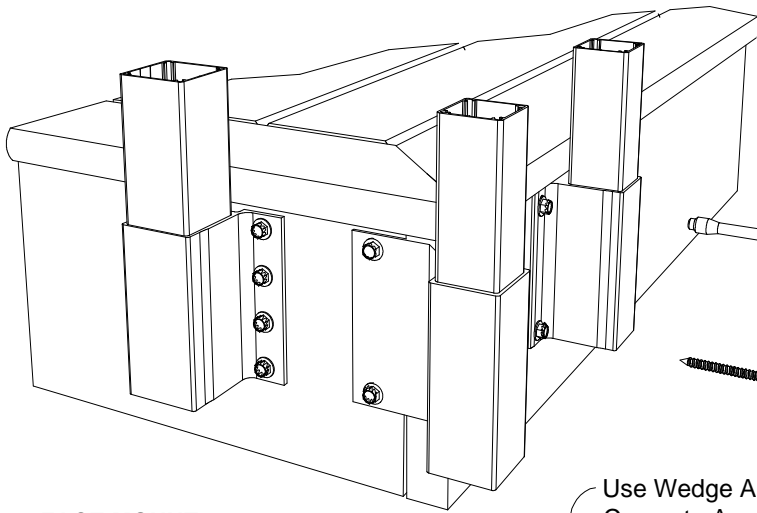
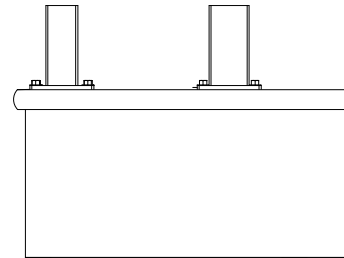
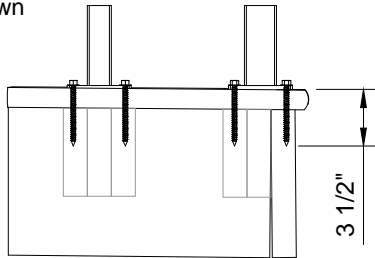
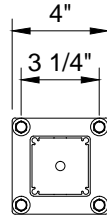
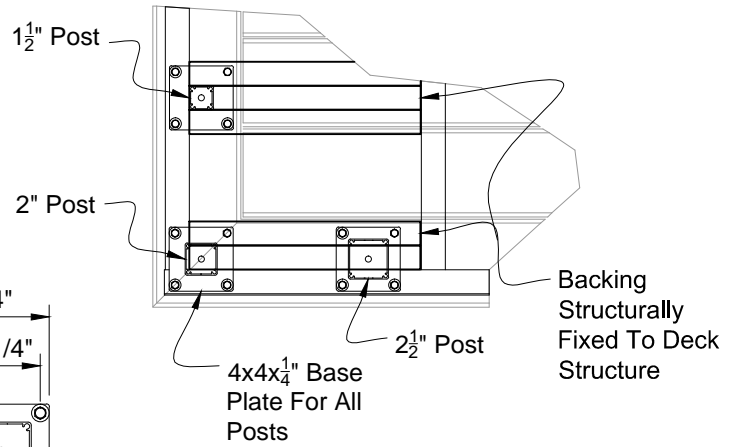


Professional Railing Experts

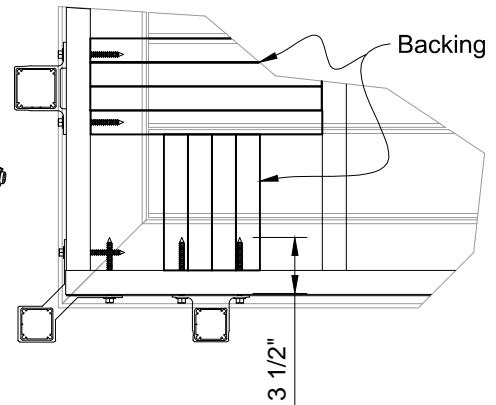
03
 REV00



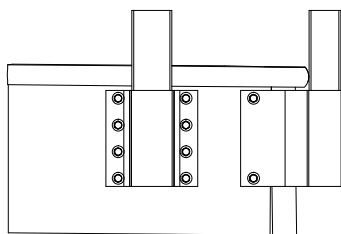
TOP MOUNT
2x10 Wood Deck Shown



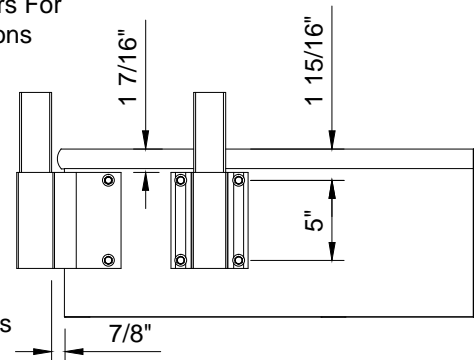
FACE MOUNT
2x10 Wood Deck Shown



Use Wedge Anchors For Concrete Applications



Use 3/8" Lag Bolts



Design of the mounting substrate to withstand all the loads applied to it including those from the railings is the responsibility of others. Trueline Railing will provide additional standard drawings and documents to locate the structural backing upon conformation of the service booking. Post locations can be provided prior to the deck construction with a small additional custom drafting fee.

Please Note: All pricing and drawing information is for Trueline Railing clients only. Pricing is an approximate installed price per foot budget value for the associated railing style. Visit the web site for service booking and other product information. Any reproduction in part or as a whole without written permission of Trueline Railing is prohibited.

Web: www.alteredbydesign.ca

Email: TLRailing@gmail.com

TRUeline
RAILING



Professional Railing Experts

04

REV00

Service Area:

Area #1

- Armstrong
- Vernon
- Salmon Arm
- Enderby
- Falkland
- Lumby
- North Okanagan

Area #2

- Kelowna
- Kamloops
- Sicamous
- Lake Country
- Winfield
- Blind Bay
- Shuswap

Area #3

- West Kelowna
- Summerland
- Penticton
- Princeton
- Merritt
- Revelstoke
- Golden

Area #4

- Hope
- Chillwack
- Fraser Valley
- Lower Mainland
- Metro Vancouver

Standard Stock Railing Styles:

Picket:

- **A** 42 Top Mount Picket Railing
- **A1** 42 Face Mount Picket Railing

Glass:

- **B** 42 Top Mount Glass Railing
- **B1** 42 Face Mount Glass Railing
- **B2** 42 Parapet Mount Glass Railing
- **B3** 42 Glass With Mid Bar @ 36
- **B4** 42 Glass With Mid Bar & Double Post
- **B5** 60 Glass Top Mount Or Face Mount
- **B7** 36 Glass Top Mount Or Face Mount

Frameless Glass:

- **C** 42 Top Mount Frameless Glass
- **C1** 42 Face Mount Frameless Glass

Stair:

- **D** 36 Picket Stair (2" Wide Handrail)
- **D1** 36 Glass Stair (2½" Wide Handrail)
- **D2** 36 Pipe Hand Rail With Wall Brackets

Windscreen: (Privacy)

- **E** 72 Glass Windsreen 5mm glass
- **E1** 72 Glass Windsreen 10mm glass

Glass Options For All Railing Styles:

- All glass is custom measured and computer drafted for perfect fit and finish.
- Standard for B style railing is 5mm clear tempered.
- Standard for C style railing is 10mm Clear tempered.
- less than two week installation service from booked field measure date for clear or pinhead glass.

Optional glass types available for all railing styles:

- 6mm glass is recommended when added strength is required.
- Pin Head obscure glass is recommended when privacy is required.
- Frosted glass is available too.
- Black or tinted glass is recommended when adding a modern contemporary look.
- Rain or other acid etched designs are available.
- Back painted acid etched glass is a great way to give your railing a unique message.

Other Quick Service Railing Styles:

Picket:

- **A2** 36 Top Mount Picket Railing
- **A3** 36 Face Mount Picket Railing
- **A4** 42 Parapet Mount Picket Railing
- **A5** 42 Picket Railing With Mid Bar At 36
- **A6** 42 Picket Railing With Mid Bar & Double Post
- **A7** 42 Wide Picket
- **A8** Round Top Rail Picket

Glass:

- **B8** Round Top Rail Glass

Custom Aluminum Railing Styles:

- **F** 36 Continuous Bent Pipe Ramp or Stair Hand Rail With Wall Brackets
- **F1** 36 Continuous Bent Pipe Ramp or Stair Handrail With Posts
- **F2** 36 Bent Continuous Pipe Ramp or Stair Hand Rail With Picket & Post (Full Guard)

Custom Glass Railing Styles:

- **G** 12mm Glass With Stainless Stand-off Hardware
- **G1** Continuous Stainless Pipe Handrail With Stand-off Hardware

Color Options For All Railing Styles:

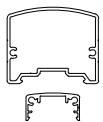
- White and black powder coated railing is stocked ready for fast quality service.
- Sandalwood and tudor brown are other quick service colors available at no additional charges.
- Other colors are available at additional costs such as:

Linen,	Cream,	Almond,
Wicker,	Oyster Grey,	Pebble Grey,
Mocha,	Slate Grey,	Ansi 70 Grey,
Ansi 49 Grey,	Seal Beach Green,	Rideau Brown

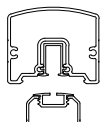
- Only the latest technology in aluminum alloy and exterior metal coatings are applied and are Quality tested to exceed industry standards.
- Shipping and transportation is a critical component to our system of quality products service. We ensure all products are transported to their final location free from scratches scuffs or other imperfections.

Canadian Made Extruded Aluminum Canadian Made Tempered Glass

Call Text Email Rob
Mobile: 250.682.0052



Standard
Picket



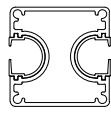
Standard
Glass



Round
Picket



Round
Glass



Frameless
Post

Web: www.alteredbydesign.ca

Email: TLRailing@gmail.com