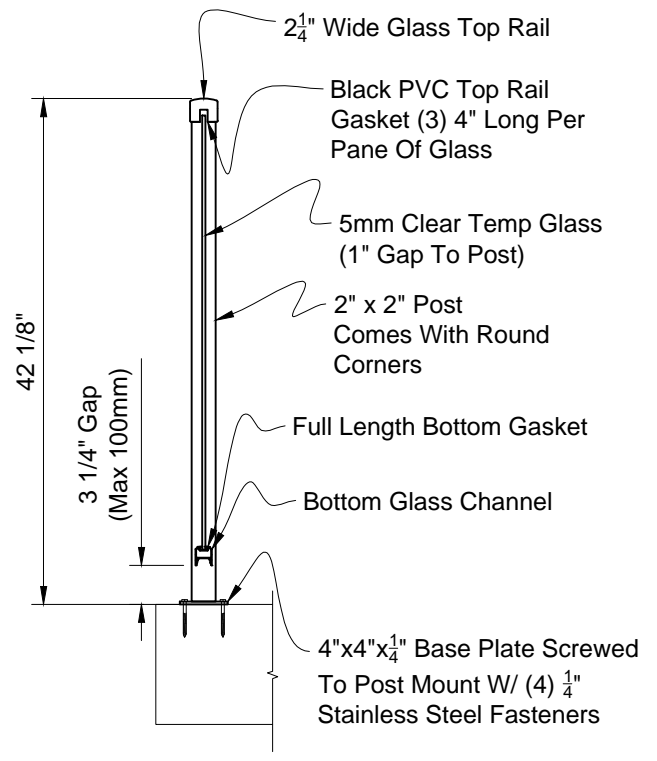
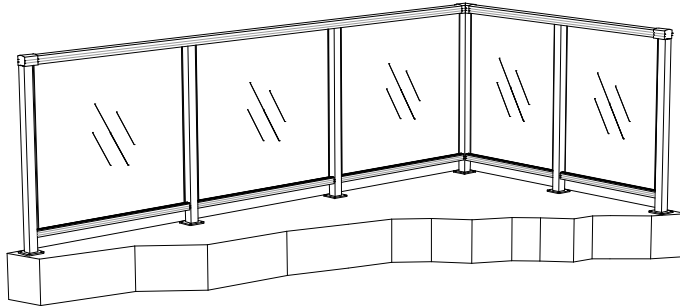


**STYLE "B"**  
**42" TOP MOUNT GLASS**  
 Looking From Outside

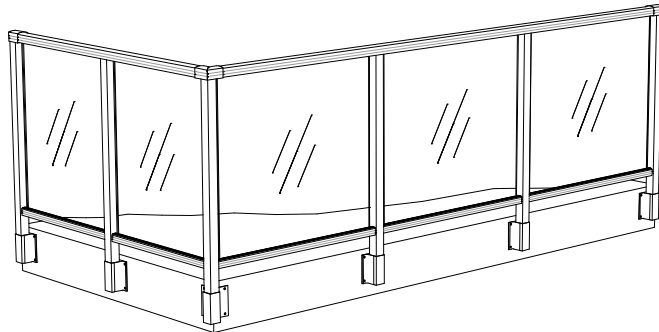


**B**  
**02**  
**STYLE**

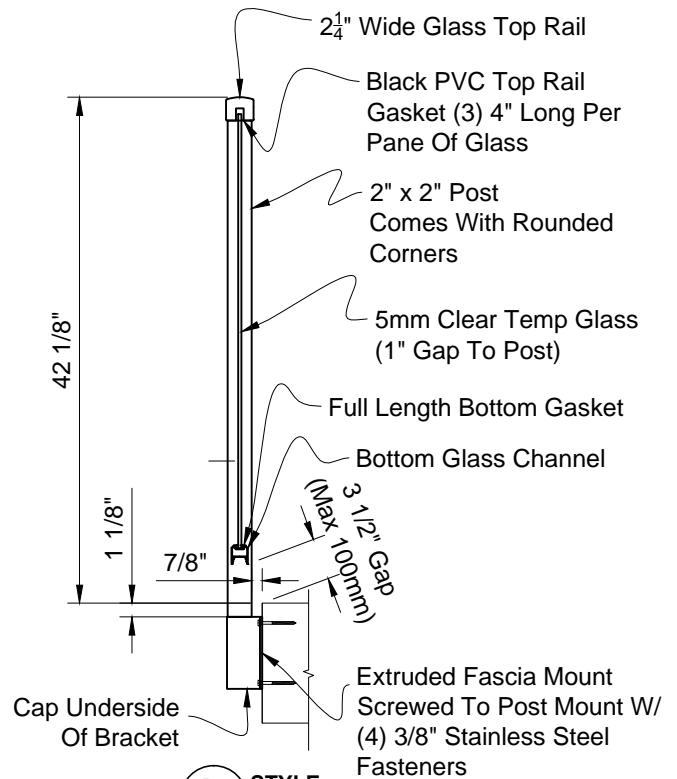


**STYLE "B"**  
**42" TOP MOUNT GLASS**  
 Looking From Inside

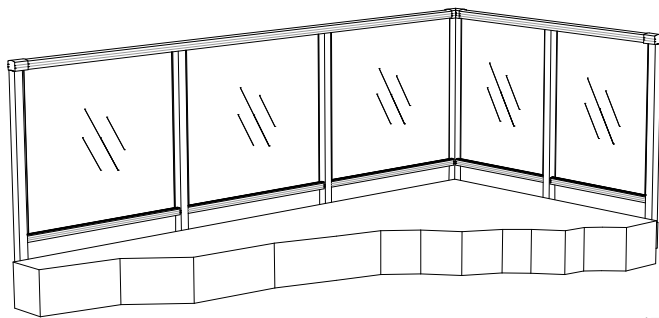
17' Deck Shown  
 White or Black Installed Starting @ Just  
 \$ 880.17  
 Service Is Less Than Two Weeks



**STYLE "B1"**  
**42" FACE MOUNT GLASS**  
 Looking From Outside



**B1**  
**02**  
**STYLE**



**STYLE "B1"**  
**42" FACE MOUNT GLASS**  
 Looking From Inside

17' Deck Shown  
 White or Black Installed Starting @ Just  
 \$ 1,030.30  
 Service Is Less Than Two Weeks

| Style "B"            | Area#1 | Area#2   | Area#3   | Area#4   |
|----------------------|--------|----------|----------|----------|
| 42" Top Mount Glass  |        |          |          |          |
| Under 100 Feet       | 51.77  | \$ 56.37 | \$ 60.06 | \$ 68.76 |
| Over 100 Feet        | 51.02  | \$ 54.02 | \$ 58.32 | \$ 61.19 |
| Style "B1"           | Area#1 | Area#2   | Area#3   | Area#4   |
| 42" Face Mount Glass |        |          |          |          |
| Under 100 Feet       | 60.61  | \$ 65.59 | \$ 69.27 | \$ 77.98 |
| Over 100 Feet        | 59.85  | \$ 63.23 | \$ 67.54 | \$ 70.40 |

For Area:  
[www.alteredbydesign.ca/gallery](http://www.alteredbydesign.ca/gallery)  
 For Service Booking:  
[www.alteredbydesign.ca/tree](http://www.alteredbydesign.ca/tree)  
 This revision is for 2018 per foot installed railing. Please ensure you check for the most current revision.

Please Note: All pricing and drawing information is for Trueline Railing clients only. Pricing is an approximate installed price per foot budget value for the associated railing style. Visit the web site for service booking and other product information. Any reproduction in part or as a whole without written permission of Trueline Railing is prohibited.

Web: [www.alteredbydesign.ca](http://www.alteredbydesign.ca)

Email: [TLRailing@gmail.com](mailto:TLRailing@gmail.com)



Professional Railing Experts

02  
 REV01  
 2018-02-15