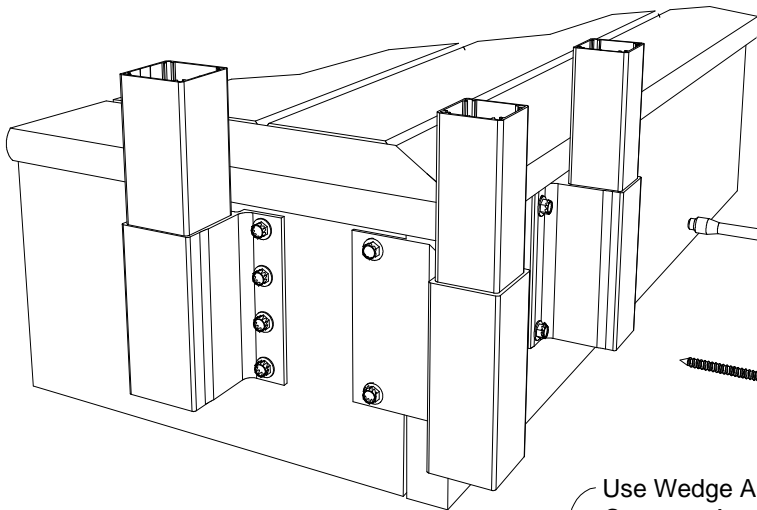
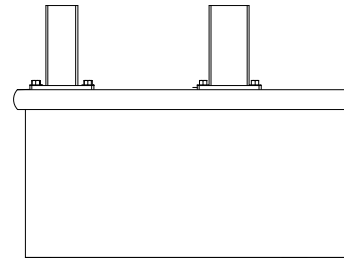
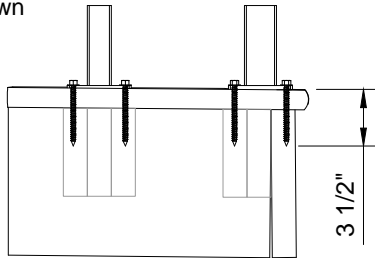
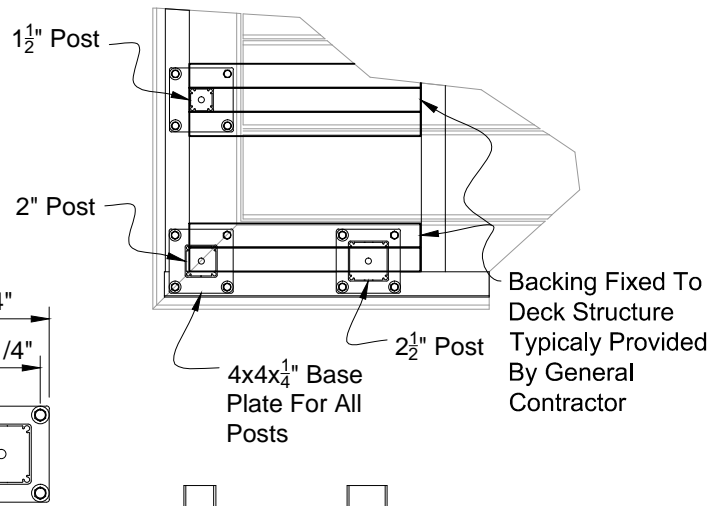
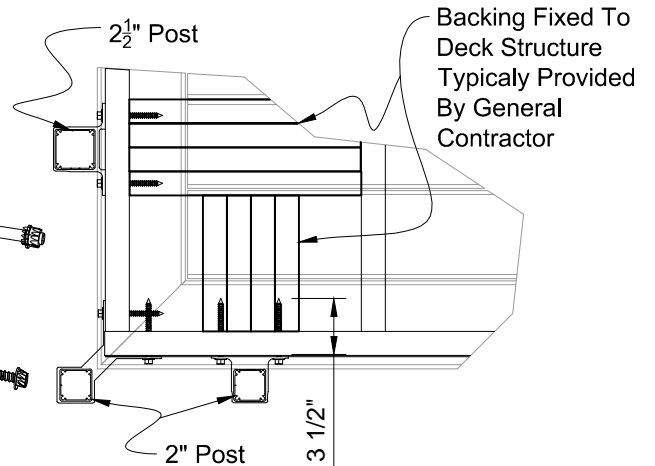


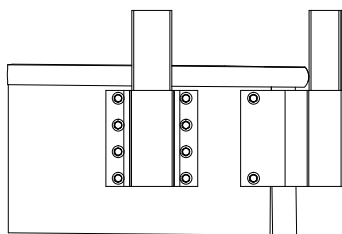
TOP MOUNT
2x10 Wood Deck Shown



FACE MOUNT
2x10 Wood Deck Shown

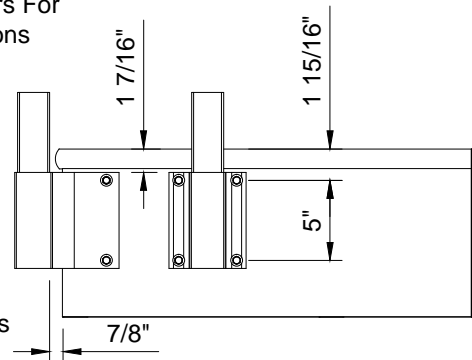


Use Wedge Anchors For Concrete Applications



Stainless Steel Mounting Fasteners

Use 3/8" Lag Bolts



Design of the mounting substrate to withstand all the loads applied to it including those from the railings is the responsibility of others. Trueline Railing will provide additional standard drawings and documents to locate the structural backing upon conformation of the service booking. Post locations can be provided prior to the deck construction with a small additional custom drafting fee.

Please Note: All pricing and drawing information is for Trueline Railing clients only. Pricing is an approximate installed price per foot budget value for the associated railing style. Visit the web site for service booking and other product information. Any reproduction in part or as a whole without written permission of Trueline Railing is prohibited.

Web: www.alteredbydesign.ca

Email: TLRailing@gmail.com

TRUELINE
RAILING



Professional Railing Experts

04

REV01
2018-02-15