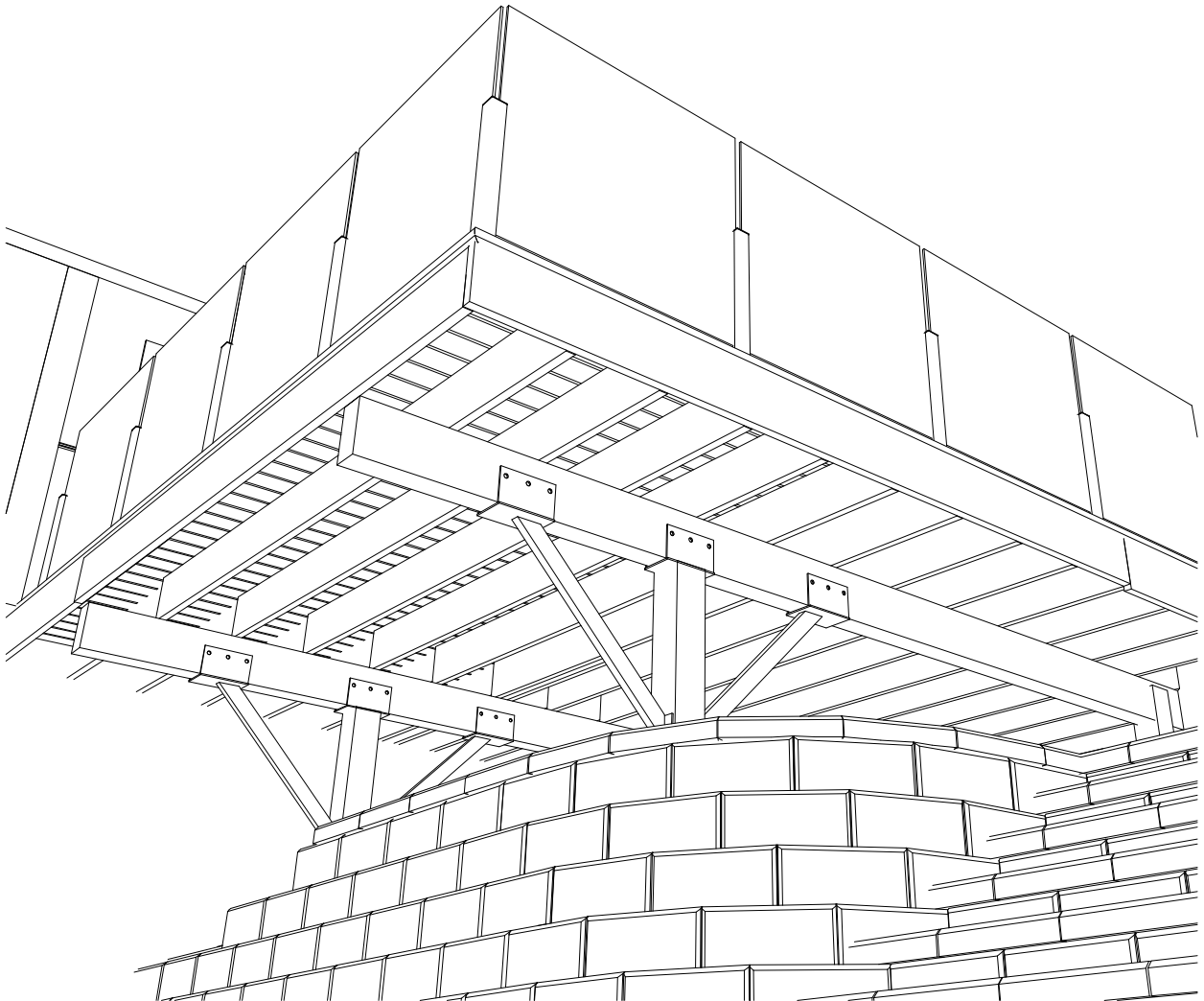


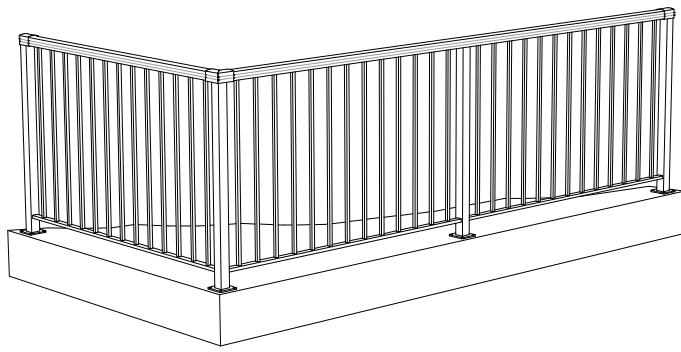
# TRUELINE RAILING



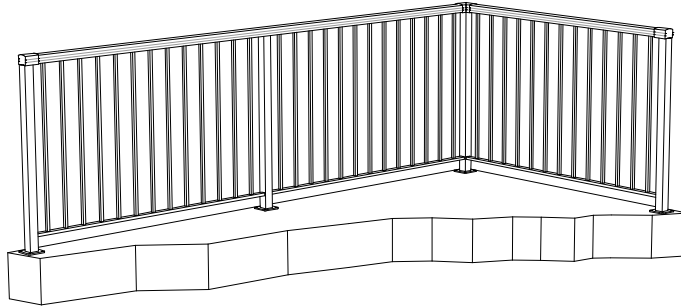
Professional Railing Experts

*2018 Product & Service Guide*

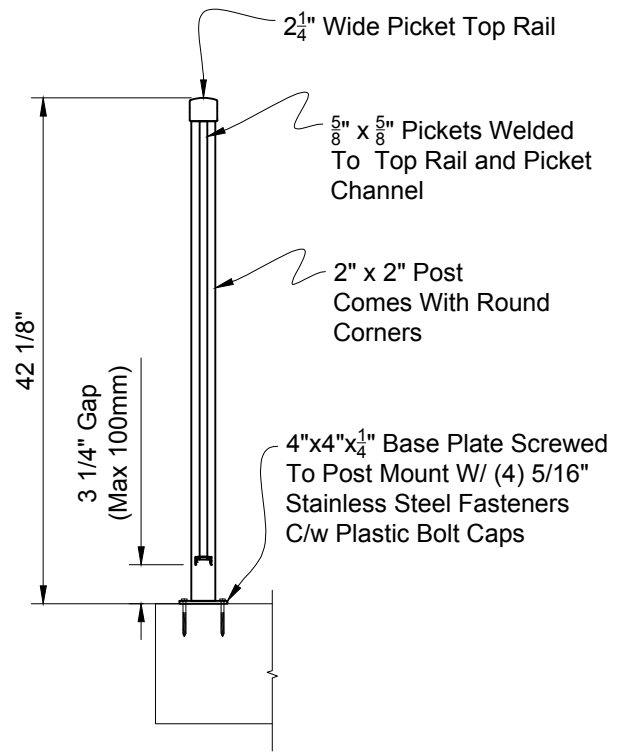




**STYLE "A"**  
**42" TOP MOUNT PICKET**  
 Looking From Outside

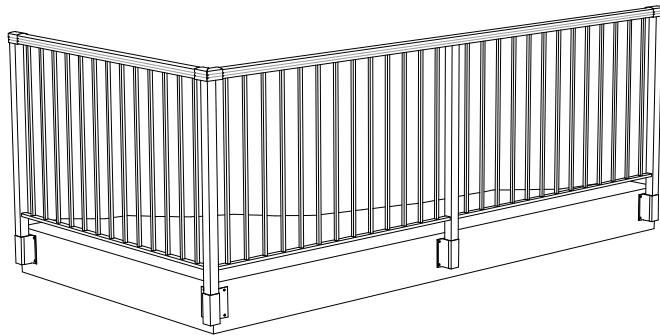


**STYLE "A"**  
**42" TOP MOUNT PICKET**  
 Looking From Inside

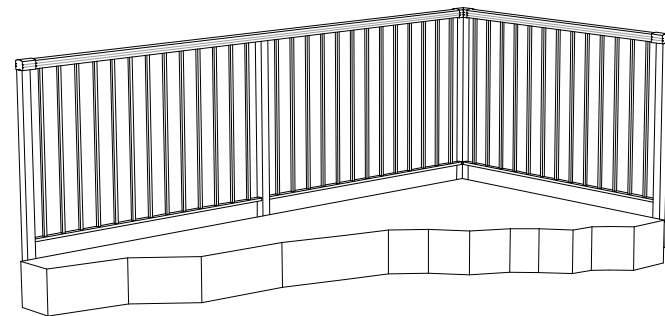


**A**  
**01**  
**STYLE**

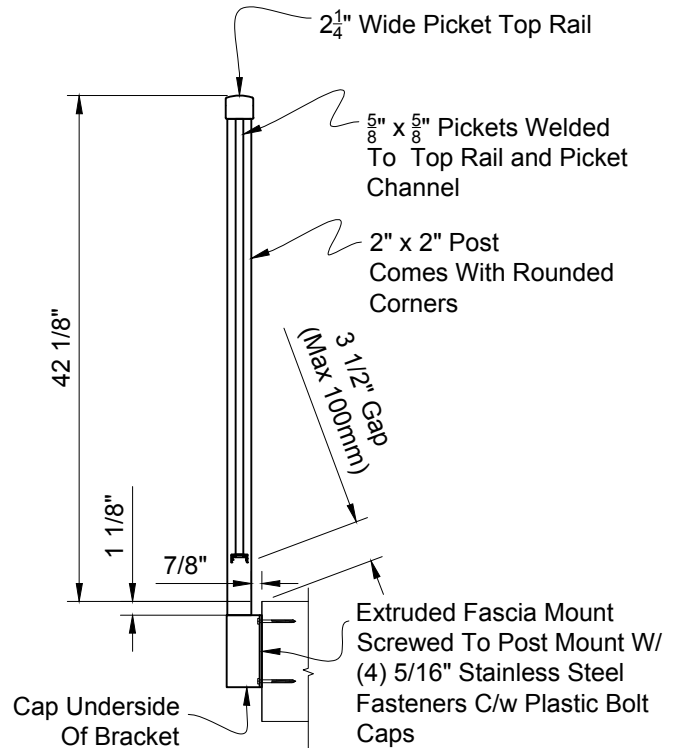
17' Deck Shown  
 White or Black Installed Starting @ Just  
 \$ 824.52  
 Service Is Less Than One Week



**STYLE "A1"**  
**42" FACE MOUNT PICKET**  
 Looking From Outside



**STYLE "A1"**  
**42" FACE MOUNT PICKET**  
 Looking From Inside



**A1**  
**01**  
**STYLE**

17' Deck Shown  
 White or Black Installed Starting @ Just  
 \$ 964.47  
 Service Is Less Than One Week

Style "A"				
42" Top Mount Picket	Area#1	Area#2	Area#3	Area#4
Under 100 Feet	48.50	\$ 50.89	\$ 54.73	\$ 61.24
Over 100 Feet	47.62	\$ 48.44	\$ 52.92	\$ 53.67
Style "A1"				
42" Face Mount Picket	Area#1	Area#2	Area#3	Area#4
Under 100 Feet	56.73	\$ 59.12	\$ 62.96	\$ 69.15
Over 100 Feet	55.85	\$ 56.67	\$ 61.15	\$ 61.57

For Area:  
[www.alteredbydesign.ca/gallery](http://www.alteredbydesign.ca/gallery)  
 For Service Booking:  
[www.alteredbydesign.ca/free](http://www.alteredbydesign.ca/free)

This revision is for 2019 per foot installed railing. Please ensure you check for the most current revision.

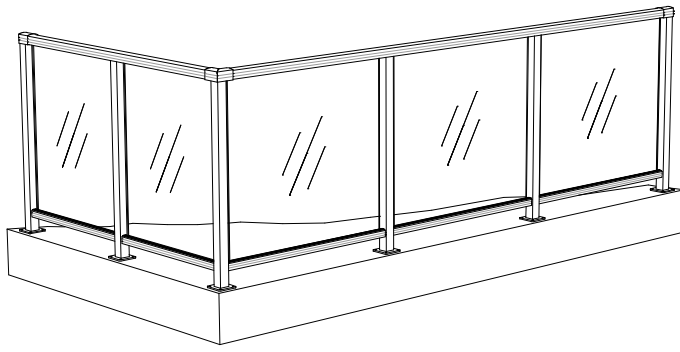
Please Note: All pricing and drawing information is for Trueline Railing clients only. Pricing is an approximate installed price per foot budget value for the associated railing style. Visit the web site for service booking and other product information. Any reproduction in part or as a whole without written permission of Trueline Railing is prohibited.

Web: [www.alteredbydesign.ca](http://www.alteredbydesign.ca)

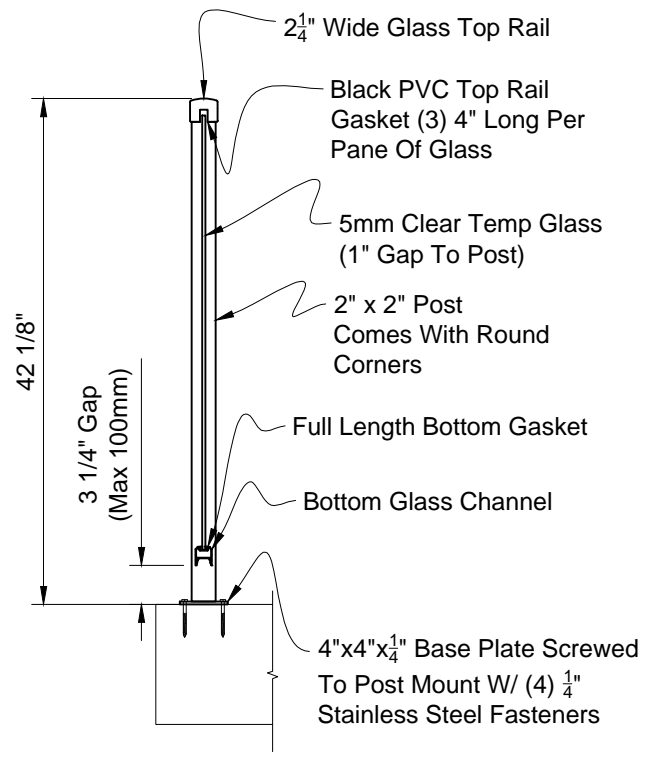
Email: [TLRailing@gmail.com](mailto:TLRailing@gmail.com)



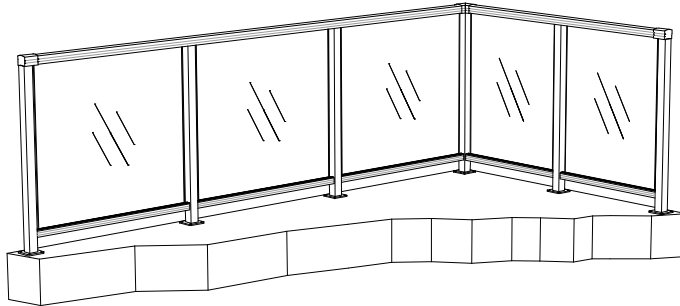
01  
 REV02  
 2019-04-19



**STYLE "B"**  
**42" TOP MOUNT GLASS**  
 Looking From Outside

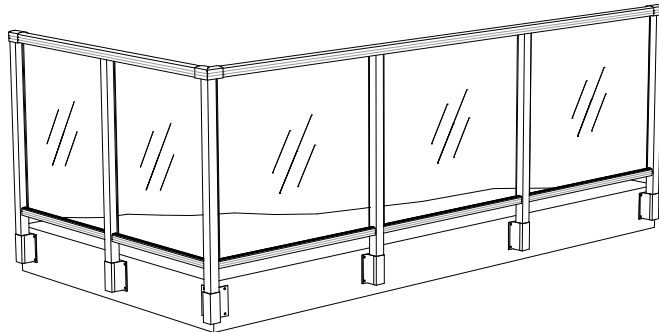


**B**  
**02**  
**STYLE**

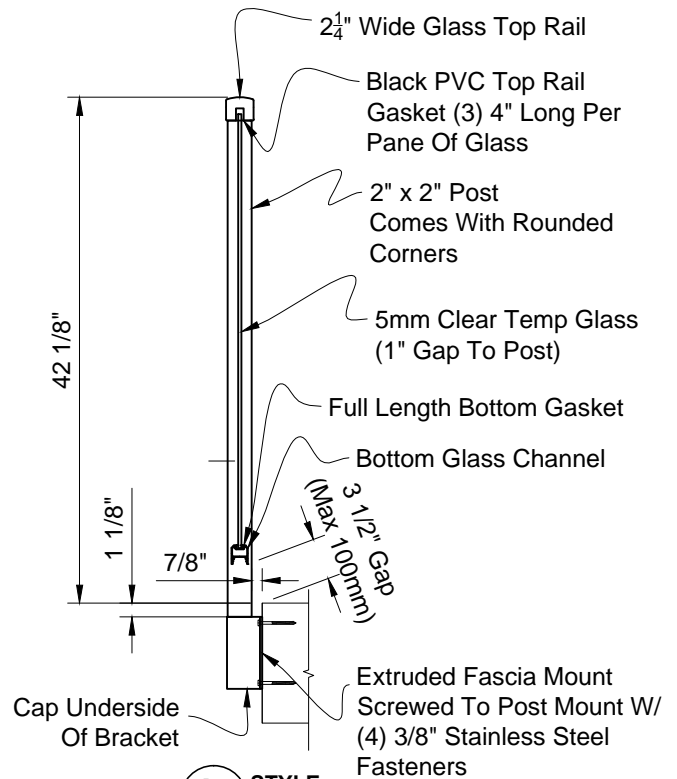


**STYLE "B"**  
**42" TOP MOUNT GLASS**  
 Looking From Inside

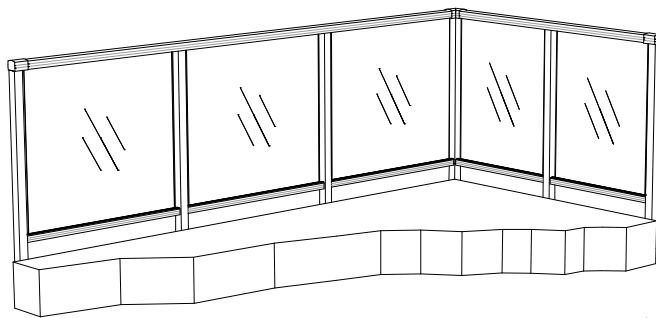
17' Deck Shown  
 White or Black Installed Starting @ Just  
 \$ 880.17  
 Service Is Less Than Two Weeks



**STYLE "B1"**  
**42" FACE MOUNT GLASS**  
 Looking From Outside



**B1**  
**02**  
**STYLE**



**STYLE "B1"**  
**42" FACE MOUNT GLASS**  
 Looking From Inside

17' Deck Shown  
 White or Black Installed Starting @ Just  
 \$ 1,030.30  
 Service Is Less Than Two Weeks

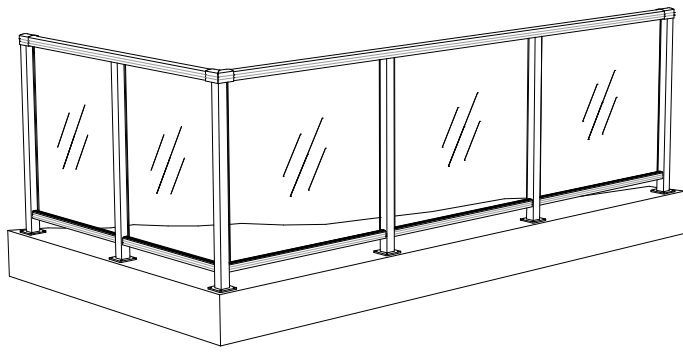
Style "B"	Area#1	Area#2	Area#3	Area#4
42" Top Mount Glass				
Under 100 Feet	51.77	\$ 56.37	\$ 60.06	\$ 68.76
Over 100 Feet	51.02	\$ 54.02	\$ 58.32	\$ 61.19
Style "B1"	Area#1	Area#2	Area#3	Area#4
42" Face Mount Glass				
Under 100 Feet	60.61	\$ 65.59	\$ 69.27	\$ 77.98
Over 100 Feet	59.85	\$ 63.23	\$ 67.54	\$ 70.40

For Area:  
[www.alteredbydesign.ca/gallery](http://www.alteredbydesign.ca/gallery)  
 For Service Booking:  
[www.alteredbydesign.ca/tree](http://www.alteredbydesign.ca/tree)  
 This revision is for 2018 per foot installed railing. Please ensure you check for the most current revision.

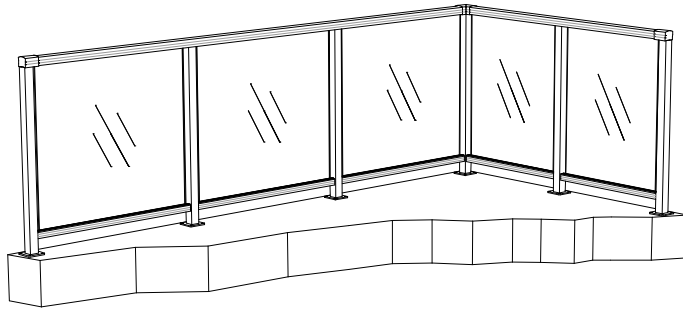
Please Note: All pricing and drawing information is for Trueline Railing clients only. Pricing is an approximate installed price per foot budget value for the associated railing style. Visit the web site for service booking and other product information. Any reproduction in part or as a whole without written permission of Trueline Railing is prohibited.

Web: [www.alteredbydesign.ca](http://www.alteredbydesign.ca)  
 Email: [TLRailing@gmail.com](mailto:TLRailing@gmail.com)



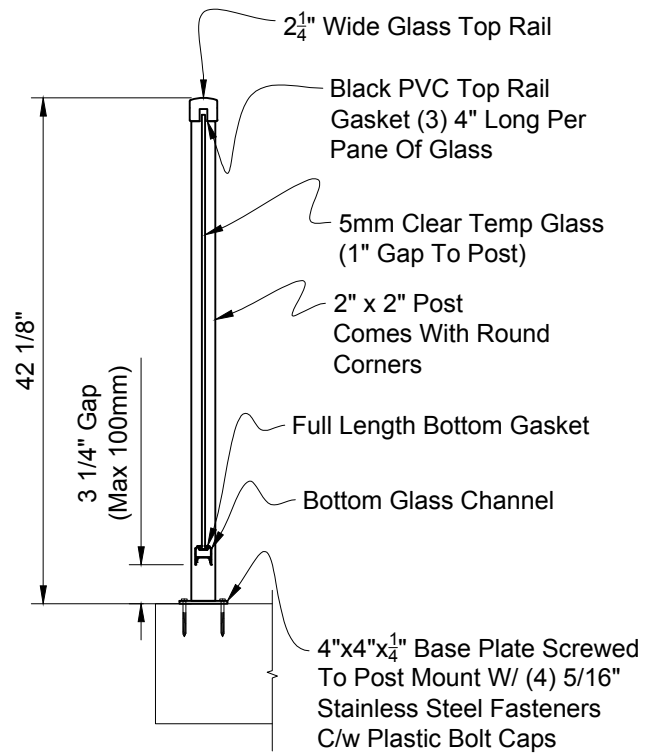


**STYLE "B"**  
**42" TOP MOUNT GLASS**  
 Looking From Outside

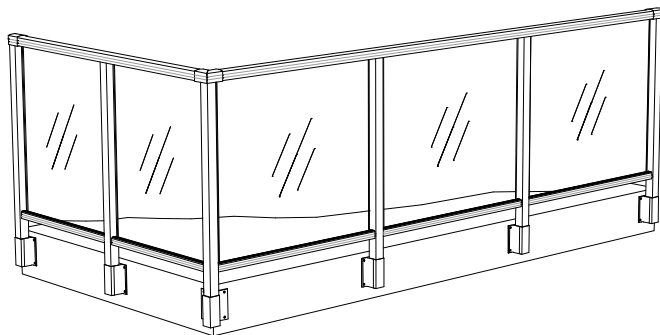


**STYLE "B"**  
**42" TOP MOUNT GLASS**  
 Looking From Inside

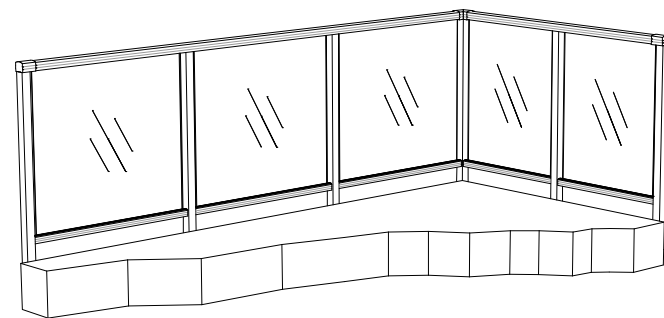
17' Deck Shown  
 White or Black Installed Starting @ Just  
 \$ 1,072.16  
 Service Is Less Than Two Weeks



**B**  
**02**  
**STYLE**

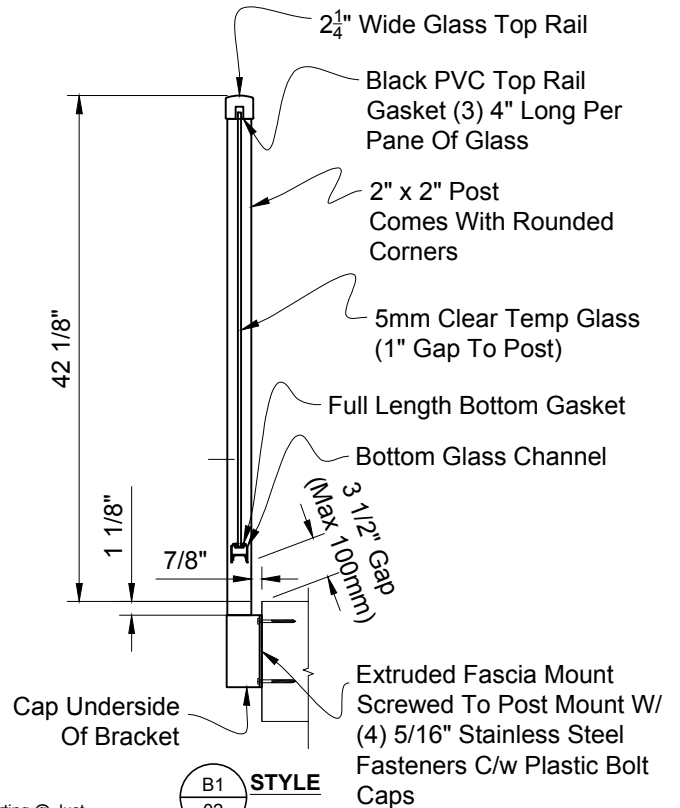


**STYLE "B1"**  
**42" FACE MOUNT GLASS**  
 Looking From Outside



**STYLE "B1"**  
**42" FACE MOUNT GLASS**  
 Looking From Inside

17' Deck Shown  
 White or Black Installed Starting @ Just  
 \$ 1,246.99  
 Service Is Less Than Two Weeks



**B1**  
**02**  
**STYLE**

Style "B"	Area#1	Area#2	Area#3	Area#4
42" Top Mount Glass				
Under 100 Feet	63.07	\$ 65.45	\$ 69.29	\$ 75.23
Over 100 Feet	62.19	\$ 63.00	\$ 67.49	\$ 67.65
Style "B1"	Area#1	Area#2	Area#3	Area#4
42" Face Mount Glass				
Under 100 Feet	73.35	\$ 75.74	\$ 79.58	\$ 85.10
Over 100 Feet	72.47	\$ 73.29	\$ 77.77	\$ 77.53

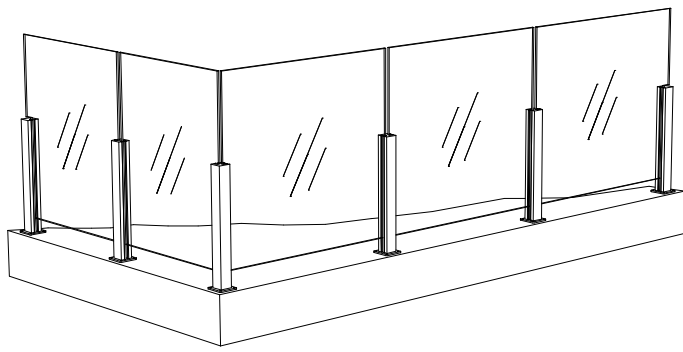
For Area:  
[www.alteredbydesign.ca/gallery](http://www.alteredbydesign.ca/gallery)  
 For Service Booking:  
[www.alteredbydesign.ca/free](http://www.alteredbydesign.ca/free)  
 This revision is for 2019 per foot installed railing. Please ensure you check for the most current revision.

Please Note: All pricing and drawing information is for Trueline Railing clients only. Pricing is an approximate installed price per foot budget value for the associated railing style. Visit the web site for service booking and other product information. Any reproduction in part or as a whole without written permission of Trueline Railing is prohibited.

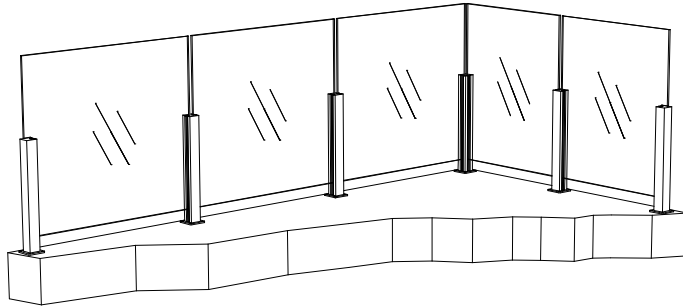
Web: [www.alteredbydesign.ca](http://www.alteredbydesign.ca)  
 Email: [TLRailing@gmail.com](mailto:TLRailing@gmail.com)



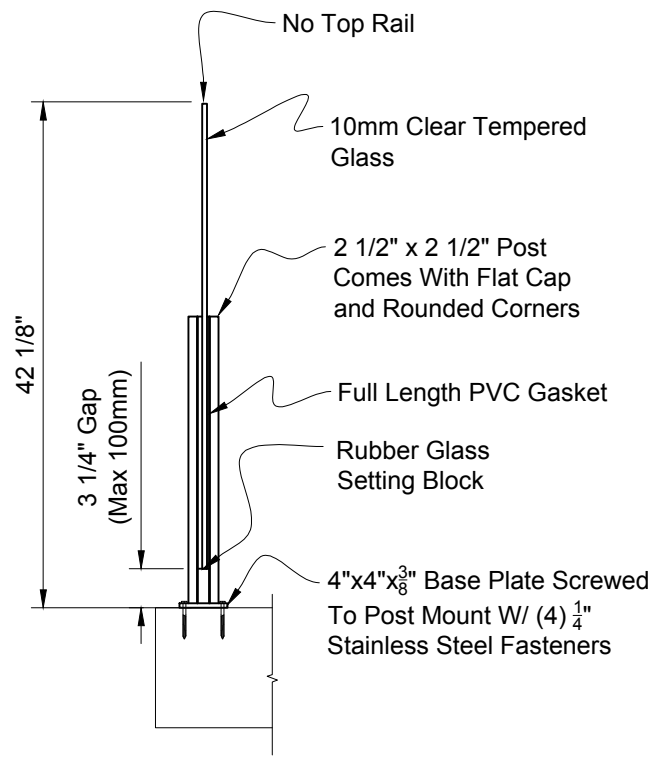
02  
 REV02  
 2019-04-19



**STYLE "C"**  
**42" TOP MOUNT FRAMELESS GLASS**  
 Looking From Outside

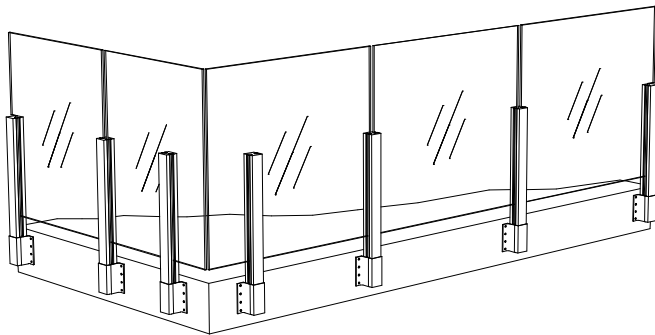


**STYLE "C"**  
**42" TOP MOUNT FRAMLESS GLASS**  
 Looking From Inside

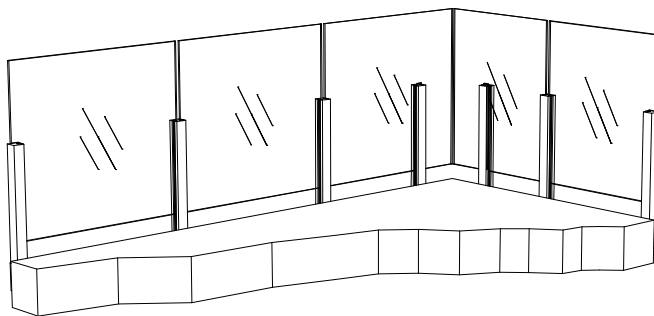


**C**  
**03**  
**STYLE**

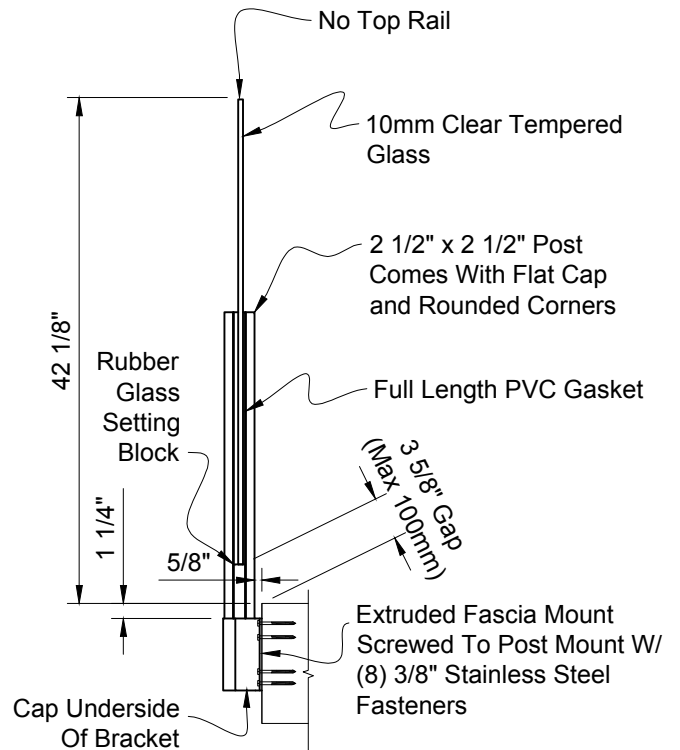
17' Deck Shown  
 White or Black Installed Starting @ Just  
 \$ 2,043.62  
 Service Is Less Than Two Weeks



**STYLE "C1"**  
**42" FACE MOUNT FRAMELESS GLASS**  
 Looking From Outside



**STYLE "C1"**  
**42" FACE MOUNT FRAMELESS GLASS**  
 Looking From Inside



**C1**  
**03**  
**STYLE**

17' Deck Shown  
 White or Black Installed Starting @ Just  
 \$ 2,358.85  
 Service Is Less Than Two Weeks

Style "C"				
42" Top Mount Frameless	Area#1	Area#2	Area#3	Area#4
Under 100 Feet	120.21	\$122.60	\$126.44	\$130.09
Over 100 Feet	119.33	\$120.15	\$124.63	\$122.51
Style "C1"				
42" Face Mount Frameless	Area#1	Area#2	Area#3	Area#4
Under 100 Feet	138.76	\$141.14	\$144.98	\$147.89
Over 100 Feet	137.88	\$138.69	\$143.18	\$140.31

For Area:  
[www.alteredbydesign.ca/gallery](http://www.alteredbydesign.ca/gallery)  
 For Service Booking:  
[www.alteredbydesign.ca/free](http://www.alteredbydesign.ca/free)  
 This revision is for 2019 per foot installed railing. Please ensure you check for the most current revision.

Please Note: All pricing and drawing information is for Truline Railing clients only. Pricing is an approximate installed price per foot budget value for the associated railing style. Visit the web site for service booking and other product information. Any reproduction in part or as a whole without written permission of Truline Railing is prohibited.

Web: [www.alteredbydesign.ca](http://www.alteredbydesign.ca)

Email: [TLRailing@gmail.com](mailto:TLRailing@gmail.com)



03  
 REV02  
 2019-04-19

## Service Area:

### Area #1

- Armstrong
- Vernon
- Salmon Arm
- Enderby
- Falkland
- Lumby
- North Okanagan

### Area #2

- Kelowna
- Kamloops
- Sicamous
- Lake Country
- Winfield
- Blind Bay
- Shuswap

### Area #3

- West Kelowna
- Summerland
- Penticton
- Princeton
- Merritt
- Revelstoke
- Golden

### Area #4

- Hope
- Chilliwack
- Fraser Valley
- Lower Mainland
- Metro Vancouver

## Standard Stock Railing Styles:

### Picket:

- **A** 42 Top Mount Picket Railing
- **A1** 42 Face Mount Picket Railing

### Glass:

- **B** 42 Top Mount Glass Railing
- **B1** 42 Face Mount Glass Railing
- **B2** 42 Parapet Mount Glass Railing
- **B3** 42 Glass With Mid Bar @ 36
- **B4** 42 Glass With Mid Bar & Double Post
- **B5** 60 Glass Top Mount Or Face Mount
- **B7** 36 Glass Top Mount Or Face Mount

### Frameless Glass:

- **C** 42 Top Mount Frameless Glass
- **C1** 42 Face Mount Frameless Glass

### Stair:

- **D** 36 Picket Stair (1 3/4" Wide Handrail)
- **D1** 36 Glass Stair (2 1/4" Wide Handrail)
- **D2** 36 Pipe Hand Rail With Wall Brackets

### Windscreen: (Privacy)

- **E** 72 Glass Windsreen 5mm glass
- **E1** 72 Glass Windsreen 10mm glass

## Glass Options For All Railing Styles:

- All glass is custom measured and computer drafted for perfect fit and finish.
- Standard for B style railing is 5mm clear tempered.
- Standard for C style railing is 10mm Clear tempered.
- less than two week installation service from booked field measure date for clear or pinhead glass.

### Optional glass types available for all railing styles:

- 6mm glass is recommended when added strength is required.
- Pin Head obscure glass is recommended when privacy is required.
- Frosted glass is available too.
- Black or tinted glass is recommended when adding a modern contemporary look.
- Rain or other acid etched designs are available.
- Back painted acid etched glass is a great way to give your railing a unique message.

## Other Quick Service Railing Styles:

### Picket:

- **A2** 36 Top Mount Picket Railing
- **A3** 36 Face Mount Picket Railing
- **A4** 42 Parapet Mount Picket Railing
- **A5** 42 Picket Railing With Mid Bar At 36
- **A6** 42 Picket Railing With Mid Bar & Double Post
- **A7** 42 Wide Picket
- **A8** Round Top Rail Picket

### Glass:

- **B8** Round Top Rail Glass

## Custom Aluminum Railing Styles:

- **F** 36 Continuous Bent Pipe Ramp or Stair Hand Rail With Wall Brackets
- **F1** 36 Continuous Bent Pipe Ramp or Stair Handrail With Posts
- **F2** 36 Continuous Pipe Ramp or Stair Hand Rail With Picket & Post (Full Guard)

## Custom Glass Railing Styles:

- **G** 12mm Glass With Stainless Stand-off Hardware
- **G1** Continuous Stainless Pipe Handrail With Stand-off Hardware

## Color Options For All Railing Styles:

- White and black powder coated railing is stocked ready for fast quality service.
- Sandalwood and tudor brown are other quick service colors available at no additional charges.
- Other colors are available at additional costs such as:

Linen,	Cream,	Almond,
Wicker,	Oyster Grey,	Pebble Grey,
Mocha,	Slate Grey,	Ansi 70 Grey,
Ansi 49 Grey,	Seal Beach Green,	Rideau Brown

- Only the latest technology in aluminum alloy and exterior metal coatings are applied. Quality testing procedures applied ensuring life long durability.
- Shipping and transportation is a critical component to our system of quality products and service. We ensure all products are transported to their final location free from scratches, scuffs, or other imperfections.

## Canadian Made Extruded Aluminum Canadian Made Tempered Glass

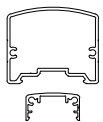
Call Text Email Rob  
Mobile: 250.682.0052

Web: [www.alteredbydesign.ca](http://www.alteredbydesign.ca)

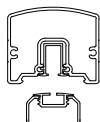
Email: [TLRailing@gmail.com](mailto:TLRailing@gmail.com)

**TRUELINE**  
RAILING

Professional Railing Experts



**Standard Picket**



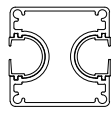
**Standard Glass**



**Round Picket**



**Round Glass**



**Frameless Post**

